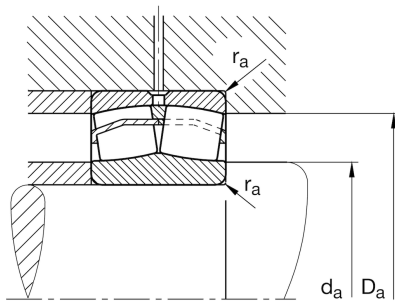
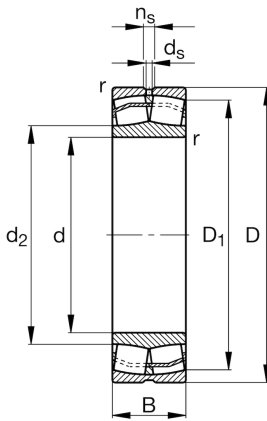
**21308-E1-XL-TVPB**

Spherical Roller Bearing

Spherical roller bearings 213..-E1, main dimensions to DIN 635-2

Technical information

**Main Dimensions & Performance Data**

d	40 mm	Bore diameter
D	90 mm	Outside diameter
B	23 mm	Width
C_r	109.000 N	Basic dynamic load rating, radial
C_{0r}	107.000 N	Basic static load rating, radial
C_{ur}	14.600 N	Fatigue load limit, radial
n_G	9.800 1/min	Limiting speed
n_{gr}	5.200 1/min	Reference speed
$\approx m$	0,68 kg	Weight

Mounting dimensions

$d_{a \min}$	49 mm	Minimum diameter shaft shoulder
$D_{a \max}$	81 mm	Maximum diameter of housing shoulder
$r_{a \max}$	1,5 mm	Maximum recess radius

Dimensions

r_{\min}	1,5 mm	Minimum chamfer dimension
D_1	80,8 mm	Bore diameter outer ring
d_2	59,9 mm	Raceway diameter of the inner ring
d_s	3,2 mm	Diameter lubrication hole
n_s	4,8 mm	Width of lubricating groove

Temperature range

T_{\min}	-30 °C	Operating temperature min.
T_{\max}	120 °C	Operating temperature max.



[View product details on medias](#)

08.07.2024, 10:44:02 CEST

SCHAEFFLER

Calculation factors

e	0,23	Limiting value of Fa/Fr for the applicability of diff. Values of factors X and Y
Y ₁	2,95	Dynamic axial load factor
Y ₂	4,4	Dynamic axial load factor
Y ₀	2,89	Static axial load factor