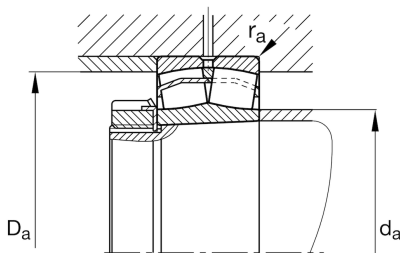
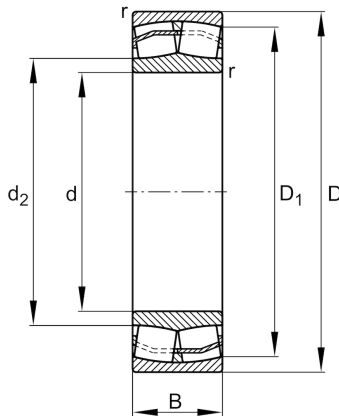
**21307-E1-XL-K-TVPB**

## Spherical Roller Bearing

Spherical roller bearings 213..-E1-K, main dimensions to DIN 635-2, with tapered bore, taper 1:12

## Technical information

**Main Dimensions & Performance Data**

d	35 mm	Bore diameter
D	80 mm	Outside diameter
B	21 mm	Width
$C_r$	83.000 N	Basic dynamic load rating, radial
$C_{0r}$	74.000 N	Basic static load rating, radial
$C_{ur}$	8.300 N	Fatigue load limit, radial
$n_G$	10.900 1/min	Limiting speed
$n_{gr}$	6.800 1/min	Reference speed
$\approx m$	0,491 kg	Weight

**Mounting dimensions**

$d_{a \min}$	44 mm	Minimum diameter shaft shoulder
$D_{a \max}$	71 mm	Maximum diameter of housing shoulder
$r_{a \max}$	1,5 mm	Maximum recess radius
$B_{a \min}$	8 mm	Minimum cavity width of the sleeve
$d_{a \max}$	47 mm	Maximum diameter of shaft shoulder
$d_{b \min}$	39 mm	Minimum cavity diameter of the sleeve

**Dimensions**

$r_{\min}$	1,5 mm	Minimum chamfer dimension
$D_1$	66,6 mm	Bore diameter outer ring
$d_2$	47,4 mm	Raceway diameter of the inner ring

**Temperature range**

$T_{\min}$	-30 °C	Operating temperature min.
$T_{\max}$	120 °C	Operating temperature max.



View product details on medias

07.07.2024, 16:57:59 CEST

**SCHAEFFLER**

### Calculation factors

e	0,26	Limiting value of Fa/Fr for the applicability of diff. Values of factors X and Y
Y <sub>1</sub>	2,55	Dynamic axial load factor
Y <sub>2</sub>	3,8	Dynamic axial load factor
Y <sub>0</sub>	2,5	Static axial load factor

### Additional information

H307	Adapter sleeve
------	----------------