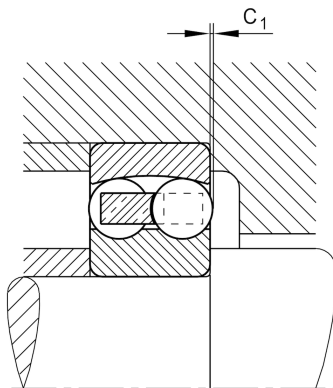
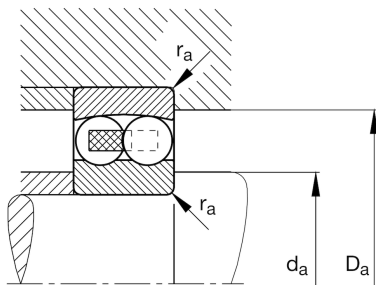
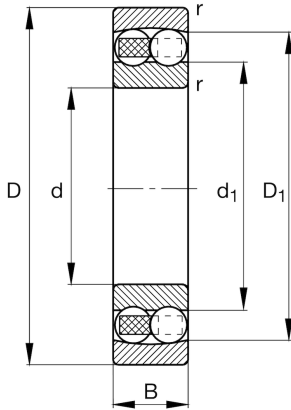


**FAG****1316-M-C3**

Self-aligning ball bearing

Self-aligning ball bearing 13.-M, solid brass cage

Technical information

**Main Dimensions & Performance Data**

d	80 mm	Bore diameter
D	170 mm	Outside diameter
B	39 mm	Width
C_r	89.000 N	Basic dynamic load rating, radial
C_{0r}	33.000 N	Basic static load rating, radial
C_{ur}	1.870 N	Fatigue load limit, radial
n_G	6.200 1/min	Limiting speed
n_{gr}	4.500 1/min	Reference speed
$\approx m$	4,407 kg	Weight

Mounting dimensions

$d_{a \min}$	92 mm	Minimum diameter shaft shoulder
$D_{a \max}$	158 mm	Maximum diameter of housing shoulder
$r_{a \max}$	2,1 mm	Maximum fillet radius

Dimensions

r_{\min}	2,1 mm	Minimum chamfer dimension
D_1	144,25 mm	Shoulder diameter outer ring
d_1	110,62 mm	Shoulder diameter inner ring
C_1	0,1 mm	Overhang rolling element

Temperature range

T_{\min}	-30 °C	Operating temperature min.
T_{\max}	150 °C	Operating temperature max.

Calculation factors

e	0,22	Limiting value of F_a/F_r for the applicability of diff. Values of factors X and Y
Y_1	2,88	Dynamic axial load factor
Y_2	4,46	Dynamic axial load factor
Y_0	3,02	Static axial load factor