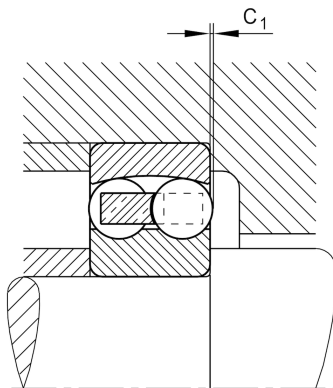
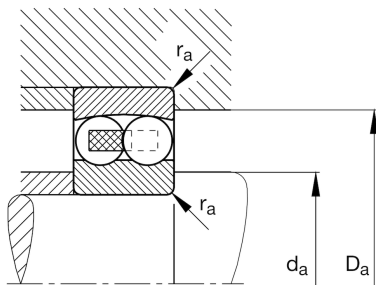
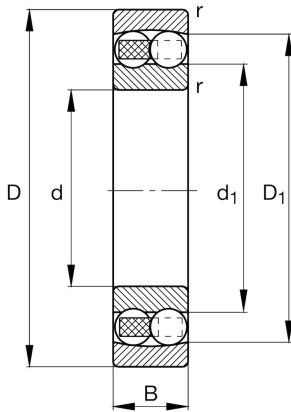
**FAG****1224-M-C3**

Self-aligning ball bearing

Self-aligning ball bearing 12..-M, solid brass cage

Technical information

**Main Dimensions & Performance Data**

d	120 mm	Bore diameter
D	215 mm	Outside diameter
B	42 mm	Width
C_r	121.000 N	Basic dynamic load rating, radial
C_{0r}	53.000 N	Basic static load rating, radial
C_{ur}	2.600 N	Fatigue load limit, radial
n_G	4.750 1/min	Limiting speed
n_{gr}	4.200 1/min	Reference speed
$\approx m$	6,88 kg	Weight

Mounting dimensions

$d_{a \min}$	132 mm	Minimum diameter shaft shoulder
$D_{a \max}$	203 mm	Maximum diameter of housing shoulder
$r_{a \max}$	2,1 mm	Maximum fillet radius

Dimensions

r_{\min}	2,1 mm	Minimum chamfer dimension
D_1	187,3 mm	Shoulder diameter outer ring
d_1	149 mm	Shoulder diameter inner ring
C_1	1,8 mm	Overhang rolling element

Temperature range

T_{\min}	-30 °C	Operating temperature min.
T_{\max}	150 °C	Operating temperature max.

Calculation factors

e	0,2	Limiting value of F_a/F_r for the applicability of diff. Values of factors X and Y
Y_1	3,11	Dynamic axial load factor
Y_2	4,81	Dynamic axial load factor
Y_0	3,25	Static axial load factor